

TRIANGO 100-1 W

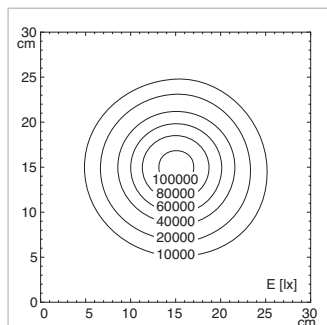
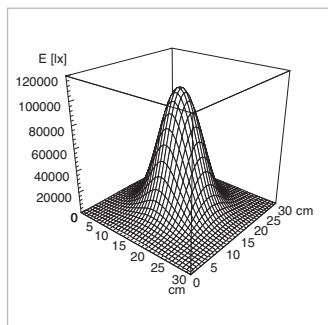
TECHNICAL DATA	
FITTED WITH	1 x LED module
LUMINOUS POWER	100 000 lux / 1.0 m *
COLOR RENDERING INDEX	Ra > 95
OPERATION EQUIPMENT	Electronic converter
VOLTAGE	100-240 V; 50/60 Hz
CORD LENGTH	Direct power supply
LUMINAIRE BODY	PA
WEIGHT (NET)	15.3 kg
POWER CONSUMPTION	40 W
USAGE	Touch panel on cardanic system
TECHNOLOGY	Single-pole secondary
BALANCE OF ARTICULATION JOINTS	Spring (weight compensation)
CLASS OF PROTECTION	I
PROTECTION RATING	IP 43 (luminaire head)
STANDARDS MET	EN 60601-1, EN 60601-2-41
SPECIAL FEATURES	Diamond optics, sterilizable handle, maintenance-free, high quality arm system, dimmable
MOUNTING	Wall mount
ACCESSORIES	Sterilizable handle

TREATMENT LIGHT

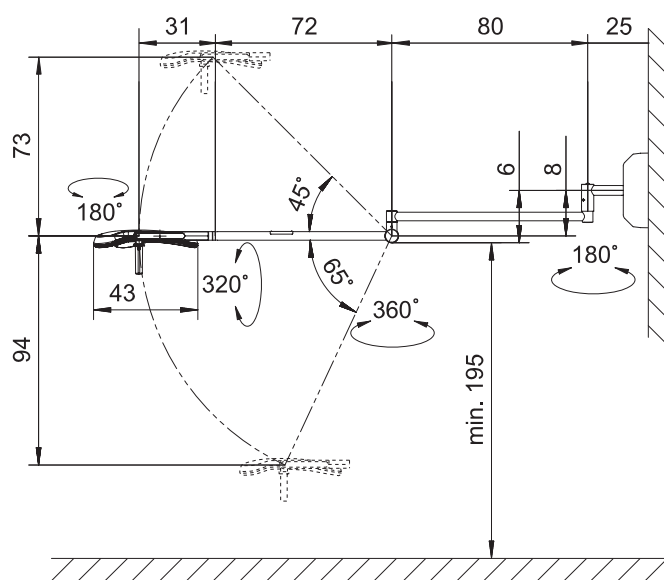


	illumination area / 1.0 m		color temperature		dimmable	Order No.
	fixed value	changeable value	fixed value	changeable value		
	18 cm	18 / 23 / 28 cm	4300 K	3700 / 4300 / 4700 K		
TRIANGO 100-1 W	x		x		x	D15.888.000-00803663
TRIANGO 100-3 W	x			x	x	D15.889.000-00803114
TRIANGO Fokus 100-1 W		x	x		x	D15.890.000-00803687
TRIANGO Fokus 100-3 W		x		x	x	D15.891.000-00803688
TRIANGO Endo 100-1 W	x		x		x Endo mode	D15.973.000-00803706

TECHNICAL DRAWING



valid for Triango 100 with fixed illumination area



measurements in centimeters

* -10% / +20% tolerance